

SEMITEC's new pressure sensor

SEMITEC has developed a new, ultra-small pressure sensor for medical applications.

1. Name

Pressure sensor

2. Description

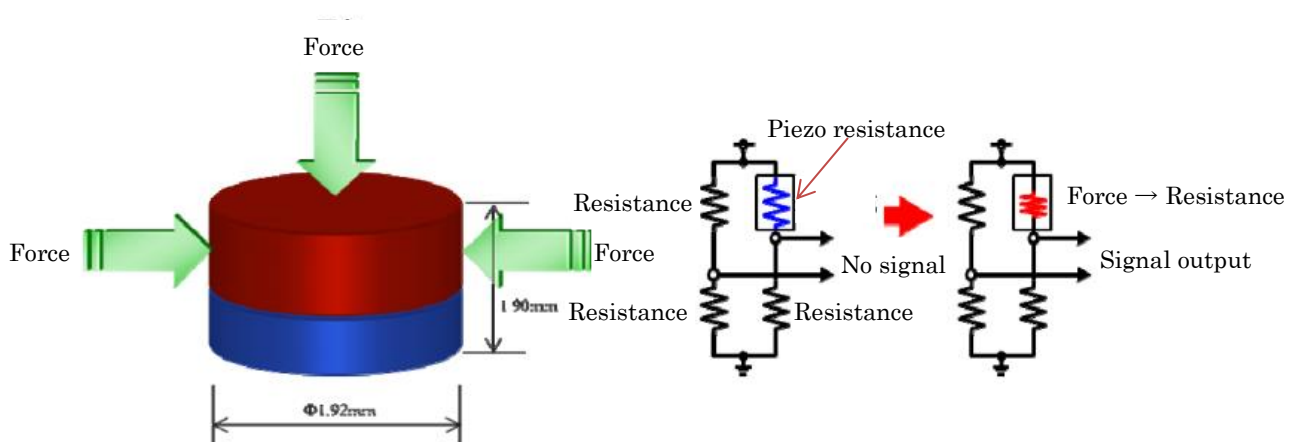
By using MEMS technology SEMITEC has succeeded in developing a pressure sensor which can be used in ultra-small spaces.

3. Features:

- a) Measurement of pressure in any direction
- b) Through utilization and direct mathematical conversion of piezo resistance accurate sensing is possible. A water or light medium is not necessary.

4. Applications:

Replacing the tactile functions of a human hand this sensor can be used for example in endoscopy devices, remote body probes and catheters.



Please contact overseas@mail.semitec.co.jp if you have any questions.